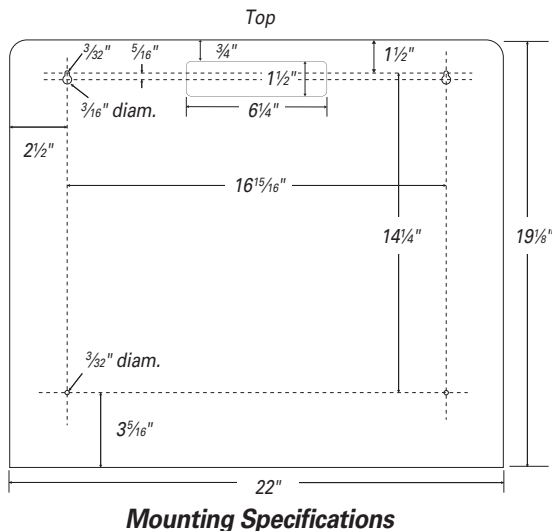


Primary Areas For Placement

- Ideal for use in isolation or procedure rooms, patient care or exam areas, or anywhere staff PPE is required



Consumables
not included



Packaging Includes

- Bulk PPE Organizer (no assembly required)

Product Specifications

- 22"W x 19 1/8"H x 4 1/2"D (55.9 cm x 48.6 cm x 11.4 cm)
- Weight: 18 lbs. (8.2 kg)
- Organizer made of 1-mm thick cold-rolled steel
- Bins made of clear ABS plastic front with steel hinged lid
- Keyholes for wall mounting (hardware not included)
- Top cutout for use with AliMed Door Hanger (not included, sold separately)
- Beige

Capacity

- Holds three boxes of gloves, one box of earloop-style face masks, and two bins for storing a variety of bulky items such as bouffant caps or booties
 - **Top Left Bins**—Assortment of bulk items up to: 11 3/4"W x 11"H x 4 3/8"D overall (29.8 cm x 28 cm x 11.1 cm)
 - **Right**—Standard size glove box(es) up to: 10"W x 5 1/8"H x 4 3/8"D (25.4 cm x 13 cm x 11.1 cm)
 - **Bottom Left**—Standard size earloop-style face mask box(es) up to: 8 1/4"W x 5 1/4"H x 4 3/8"D (21 cm x 13.3 cm x 11.1 cm)
- *Unit may accommodate other PPE boxes/materials of the same size

Packaging Specifications

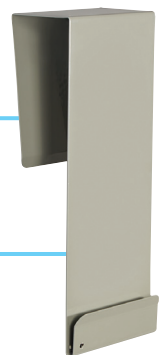
- Quantity: 1 per box
- Box size: 24 3/4"W x 20 3/4"H x 6 3/4"D (63 cm x 53 cm x 17 cm)

Care and Cleaning Instructions

- Clean with a non-abrasive cloth using a diluted solution of mild, non-abrasive detergent or standard hospital disinfectants.
- Dry with a soft, non-abrasive cloth.

Optional Door Mount Accessory

- #960824 AliMed® Door Hanger (not included, sold separately)

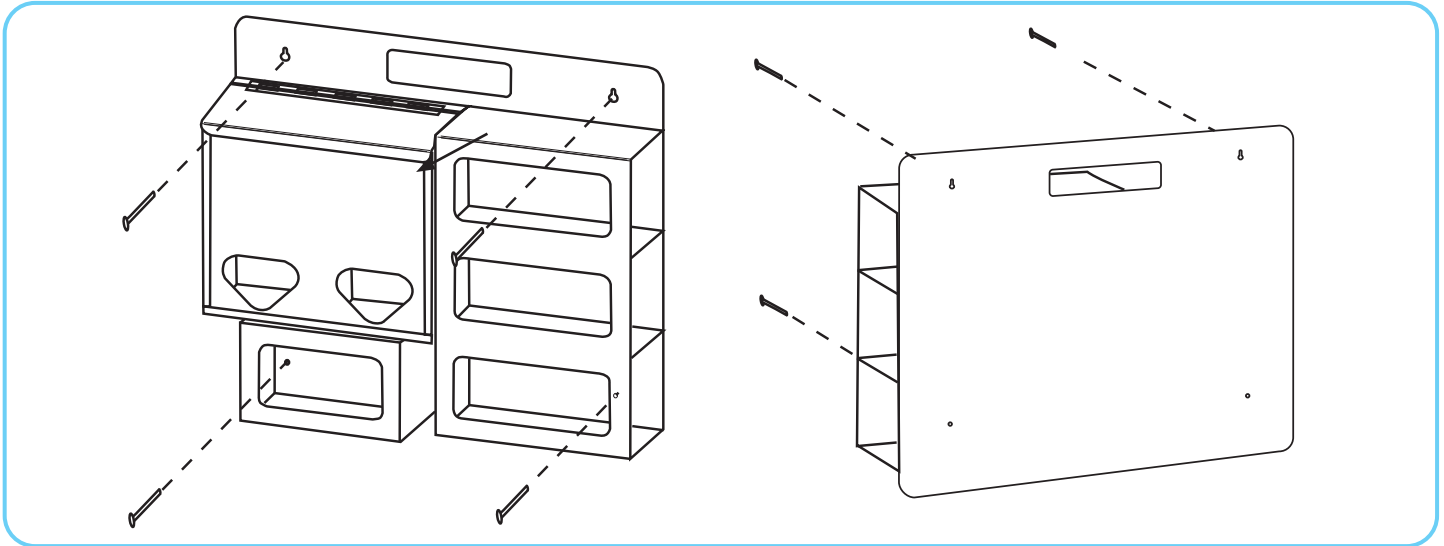


See p. 2 for mounting instructions

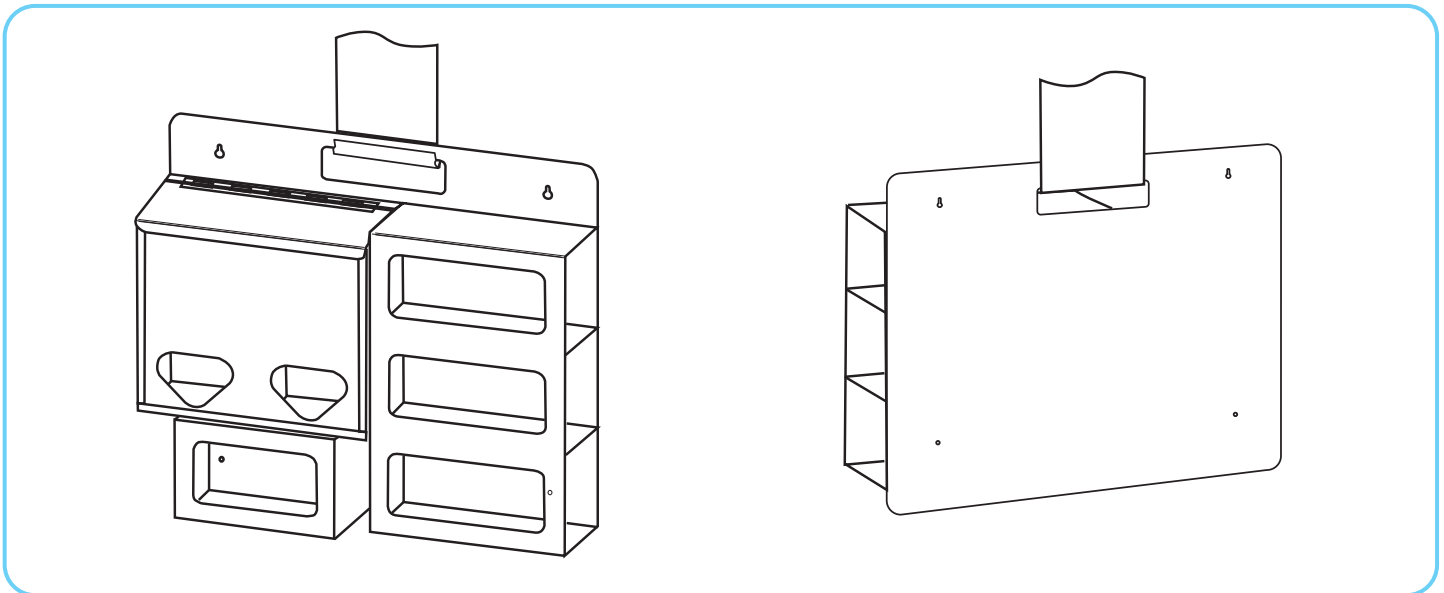
#960825 Bulk PPE Organizer

Mounting Instructions

Always securely assemble and mount dispensers prior to adding consumables.



- 1. Wall Mount:** Securely mount unit to a wall via keyholes and screw holes in back with screws approved and supplied by building maintenance. All four mounting holes provided must be used.



- 2. Door Mount:** Securely hang unit over a door using #960824 AliMed Door Hanger (not included, sold separately). Follow hanging instructions on data sheet packaged with door hanger unit.

Visit [AliMed.com/ic](https://www.AliMed.com/ic) for our full line of PPE Organizers

Unit is intended for dispensing PPE product only. Other products are not recommended.
Content provided is subject to change. Drawing dimensions are approximate.

Pub. #7866 Product #11572
©2020 AliMed® Inc. All rights reserved.